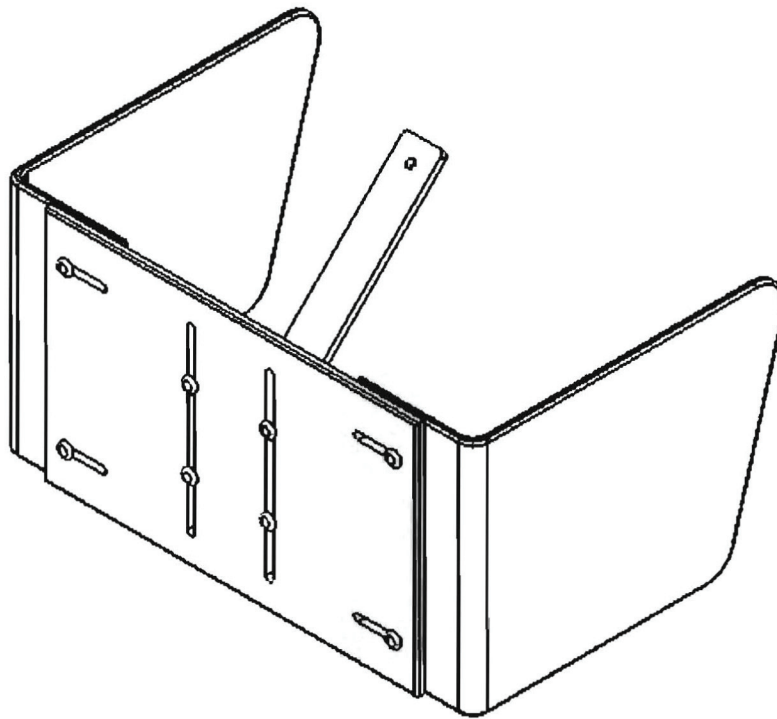




IKAN SOCCER GUARD USER'S GUIDE

For questions about setup, features, operation, parts or service, call 1-813-684-5786



IKAN SOCCER GUARD
Model: SG-1004

WARNING

DO NOT USE THE IKAN SOCCER GUARD WITHOUT FIRST READING AND UNDERSTANDING THIS MANUAL.

IF YOU ARE UNABLE TO UNDERSTAND THE WARNINGS, CAUTIONS, AND INSTRUCTIONS, CONTACT AN MGT REPRESENTATIVE BEFORE ATTEMPTING TO USE THIS UNIT, OTHERWISE DAMAGE OR INJURY MAY RESULT.

A QUALIFIED MGT REPRESENTATIVE MUST PERFORM ADJUSTMENTS OR MODIFICATIONS OTHER THAN THOSE DESCRIBED IN THIS MANUAL.

PLEASE SAVE THESE INSTRUCTIONS FOR FUTURE REFERENCE.

Table of Contents

	Page
Warnings and Safety	2
Component Identification	2
Mounting Instructions	3
Warranty	5
Contact Information	5

The IKAN Soccer Guard was designed for use with the IKAN Universal Mount. Please read all warnings and instructions carefully before operating. Mount as instructed and operate as intended.

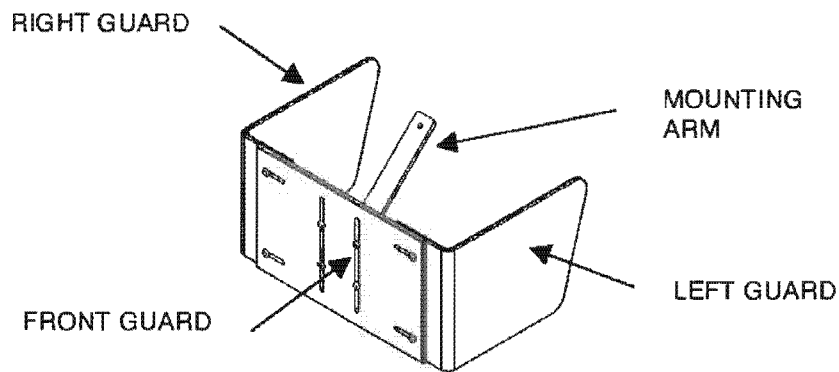
THE INFORMATION CONTAINED IN THIS MANUAL IS SUBJECT TO CHANGE WITHOUT NOTICE. VISIT US AT: www.ikanbowler.com FOR UPDATES.

Warnings and Safety

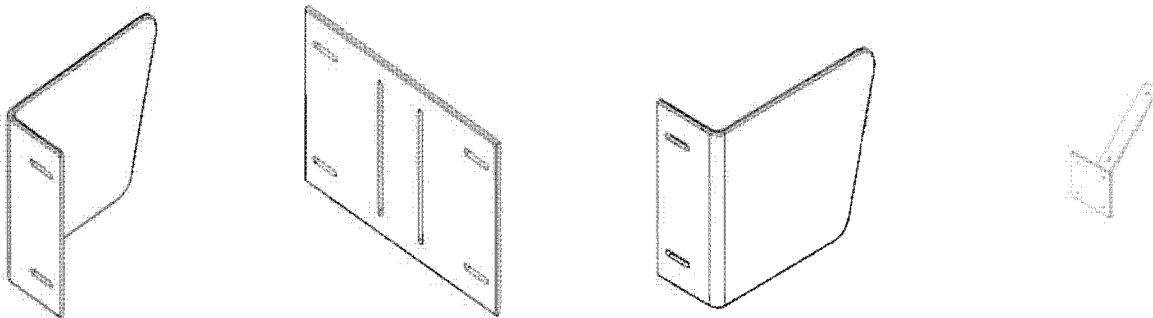
Be sure to use the IKAN Soccer Guard only as instructed in this manual. If you cannot understand these instructions, please contact MGT at: **1-813-684-5786** before attempting to use this product. Please carefully read the following warnings before using the IKAN Soccer Guard.

1. The IKAN Soccer Guard is designed to be used only with the IKAN Universal Mount. Any other use can cause injury or damage to the wheelchair user, the wheelchair, or others.
2. The IKAN Soccer Guard is designed to fit most, but not all wheelchairs. Prior to using the IKAN Universal Mount and Soccer Guard combination, confirm that your wheelchair can accommodate these products. **NEVER MOUNT THE IKAN UNIVERSAL MOUNT AND SOCCER GUARD TO A WHEELCHAIR WITH POWER ADJUSTED, TELESCOPING LEG SUPPORTS OR A DAMAGED WHEELCHAIR.** Improper installation can damage your wheelchair or the IKAN SOCCER GUARD and cause injury.
3. Prior to each use be sure to check your IKAN Universal Mount and Soccer Guard for loose screws, clamps or knobs. If any wear is noticeable discontinue use immediately and contact MGT.

Component Identification



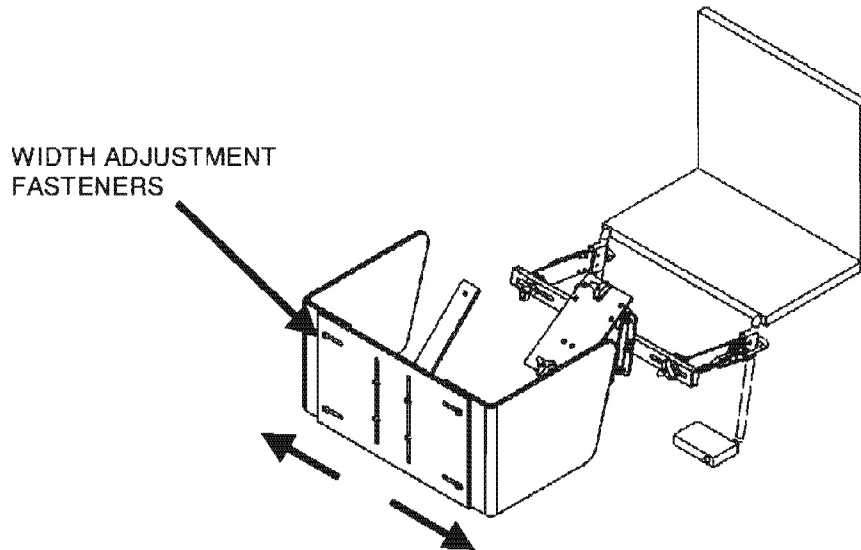
REPLACEMENT PARTS



Mounting Instructions

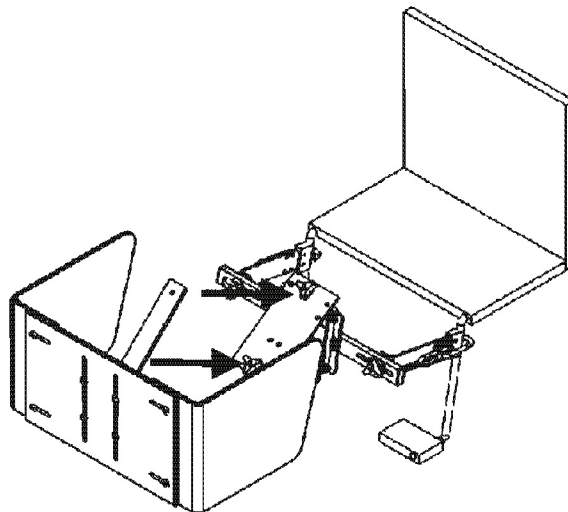
ADJUST GUARD WIDTH

With the IKAN Universal Mount properly installed on your wheelchair, (See IKAN Universal Mount Users guide for details) place the IKAN Soccer Guard in front of your wheel chair. Slide the right and left Guard in or out until it is wide enough to fit over IKAN Universal Mount. Tighten width adjustment fasteners.



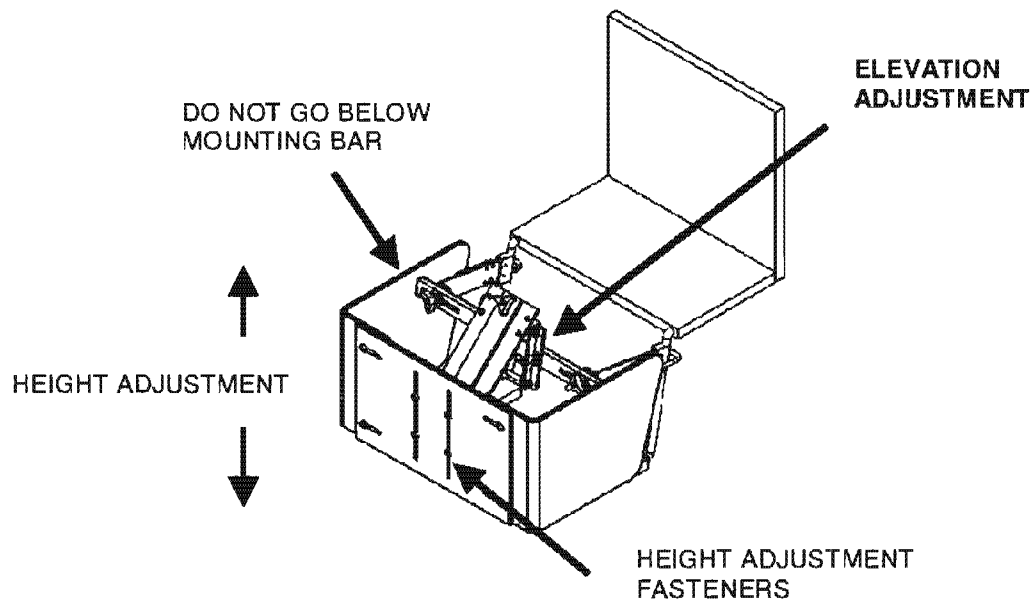
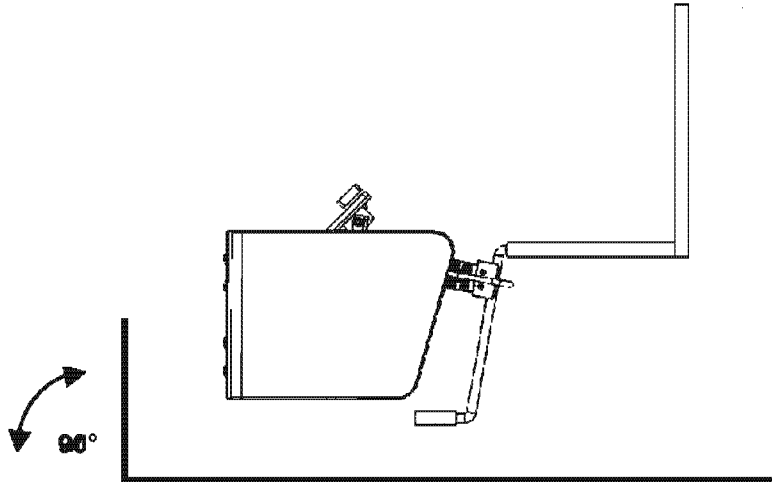
INSTALL GUARD

Install your guard on to the Lower Mounting Plate and secure in place with the two plastic knobs provided with your Universal Mount.



ADJUST GUARD HEIGHT

Rotate the Micrometer Adjustment knob until front face of the soccer guard is at right angles to the floor. Loosen the height adjustment nuts and slide the guard up or down to the desired height. Tighten the height adjustment nuts. NEVER ADJUST YOUR SOCCER GUARD SO THAT THE TOP OF THE RIGHT OR LEFT GUARDS IS BELOW THE MOUNTING BAR. Re-check all nuts, knobs and clamps to make sure they are fastened properly before using the IKAN SOCCER GUARD.



Warranty

All parts of the IKAN Soccer Guard are guaranteed for one (1) year from the date of purchase for manufacturer defects only. If required, the IKAN Soccer Guard or any parts must be returned to MGT at the owner expense. Parts will be repaired or replaced at the discretion of MGT. All returns must be accompanied by an RMA# (RETURNED MATERIAL AUTHORIZATION) from MGT.

Please contact us at the number below first with any concerns.

**Manufacturing Genuine
Thrills, Inc. d/b/a/ MGT**

813-684-5786